

DI-915M09-NF
902MHz – 928MHz 9dBi
Panel-Directional Outdoor Antenna

Specification

智能動感有限公司
中華民國一〇六年一月十日

Model : DI-915M06-NF

外觀圖：



固定配件：



Applications:

- 902MHz-928MHz ISM Band
- 915MHz, 900MHz, 4G, 2G, LTE
- Directional and multipoint applications
- Bluetooth
- Public Wireless Hotspot
- ETC, RFID
- Wireless Video Systems

Features :

- Superior performance
- Light weight
- All weather operation
- DC Short lightning protection
- Installed for vertical
- Includes tilt and swivel mast mount
- In accordance with customer needs to change the color or features

Electrical Specifications

Frequency Range	902MHz - 928MHz
V.S.W.R (Avg)	1.3 :1
Antenna Type	Patch Type
Radiation	Directional
Gain (Avg)	9dBi
Polarization	Vertical or Horizontal
Maximum Power	15 Watts
Vertical Beam-width	49 Deg
Horizontal Beam-width	52 Deg
F / B	-19 dB
Impedance	50 Ohm
Antenna Design	One Patch
Internal Material	FR4(Taiwan)
Connector	N-Female

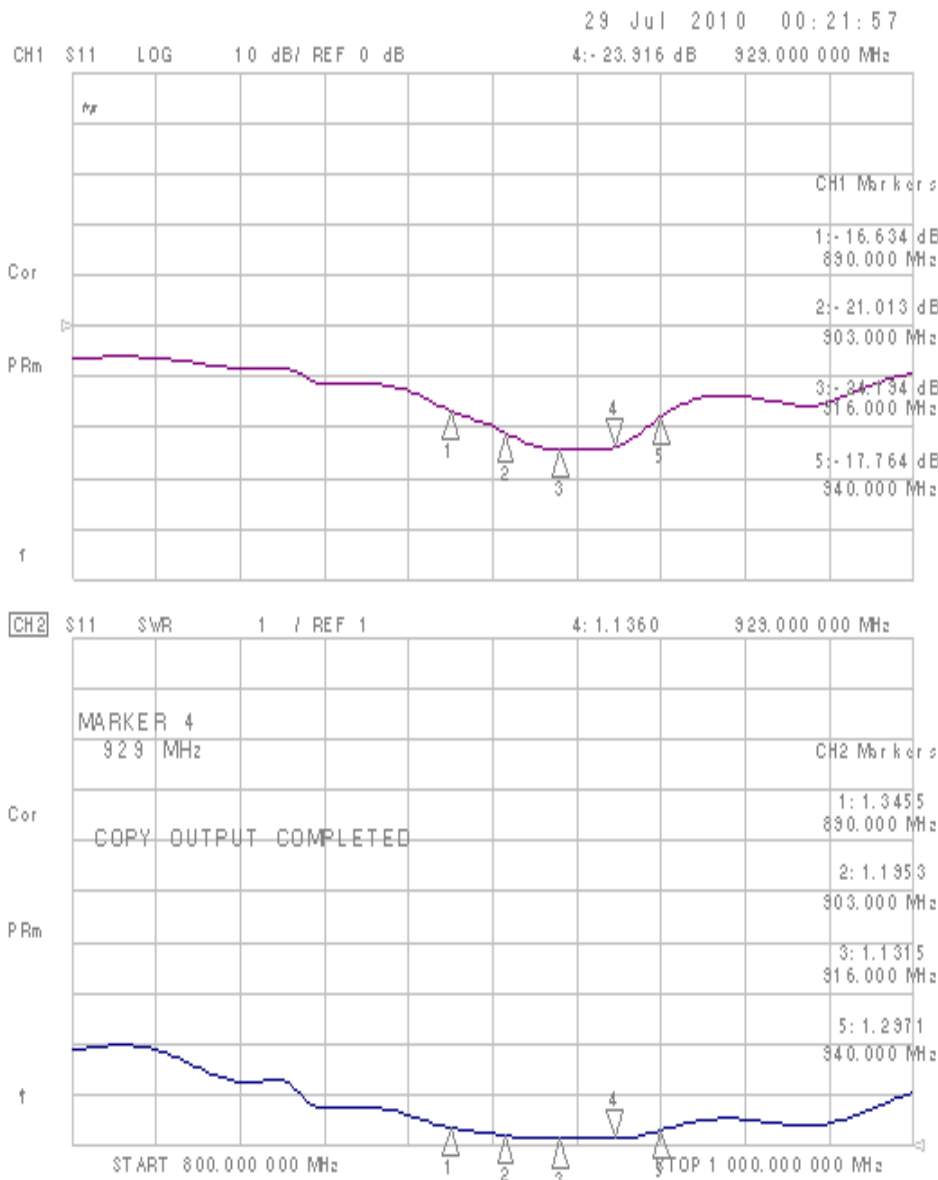
Mechanical Specifications

Length x Width (MAX)	230X230 mm
Diameter (MAX)	25 mm
Antenna Weight (G.W)	450 g
Accessories (G.W)	300g
Application	Indoor / Outdoor
Radome Material	White ABS +UV
Parts Material	Aluminum
Mount Style	Pole Mount
Mounting	Stainless Steel
Mount Adjustment	±28 deg
Wind Survival	Greater than 150 MPH
Storage Temperature	-20 to +80
Operating Temperature	-20 to +65
Operating Humidity	10%~90% non-condensing
Storage Humidity	5%~95% non-condensing
Safety,Emission and other	RoHS

Chamber Test Equipment

Test Equipment	Agilent 8720ET 50MHz-20.5GHz
Test Equipment Cable	Agilent 60cm SMA Male to SMA Male
Correction	85052D-DC-26.5Ghz
RF connector Adapter	Agilent SMA-Female to N-Male DC~18GHz
Test Model	DI-915M09-NF
Test Port	S11

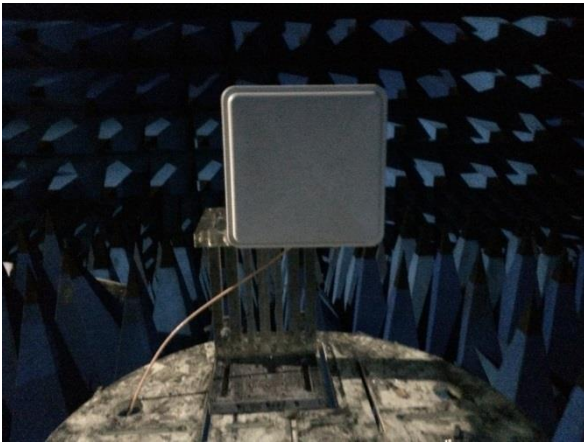
Return Loss & V.S.W.R



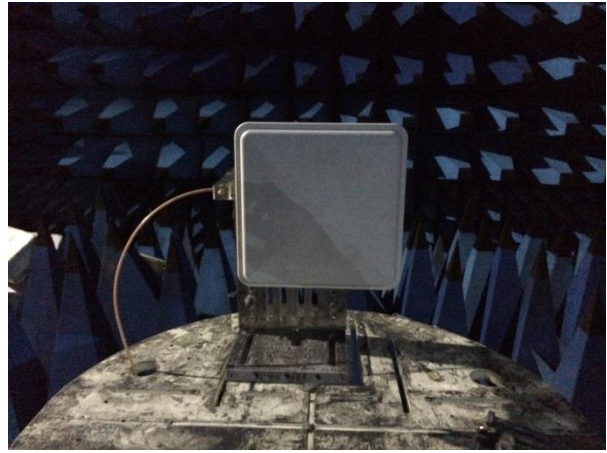
RF Chamber Test Report

Test Equipment	Agilent 8720ET 50MHz-20.5GHz
Chamber	14M(L) X 7M(D) X 7M(H)
Test Frequency	902-928MHz
Than Antenna	FT-RF HA-07M18G-NF

Vertical Pattern Photos



Horizontal Pattern Photos

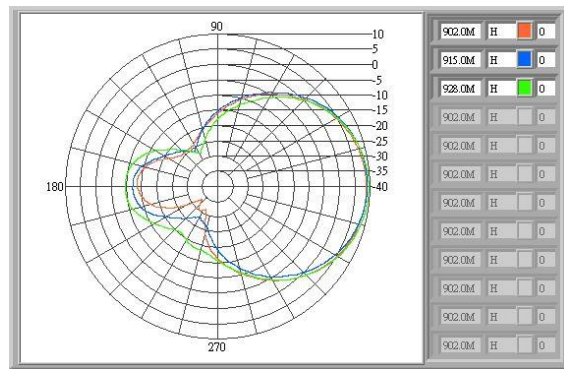
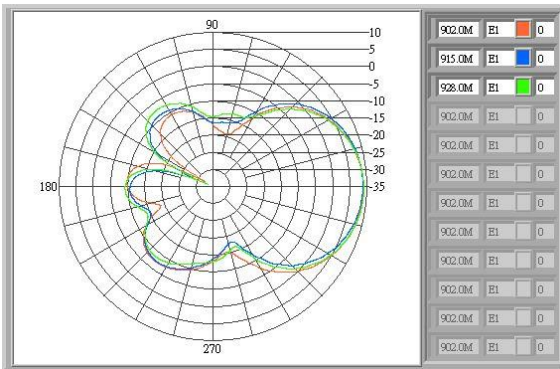


Vertical Pattern

E-plane co-pol ----- 3-dB Beam-width=55 Deg

Horizontal Pattern

H-plane co-pol ----- 3-dB Beam-width=66 Deg

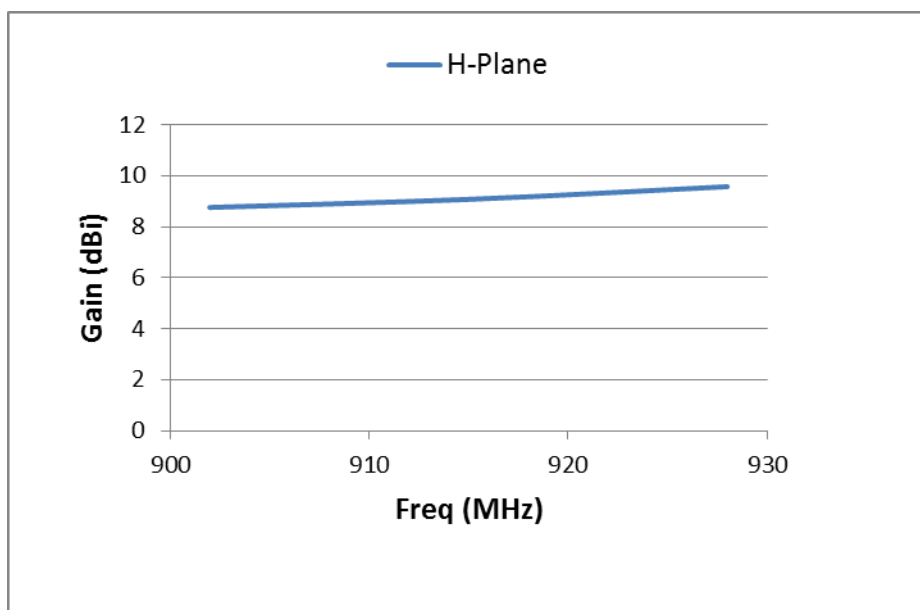


Antenna Gain Curve

H-plane

MHz	dBi
902	8.76
915	9.08
928	9.58

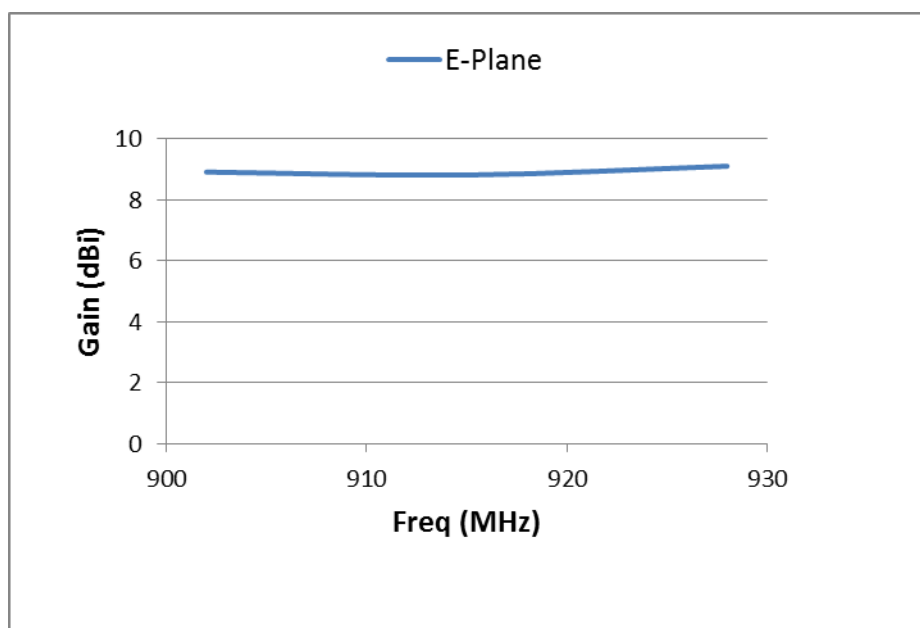
Average 9.14



E-Plane

MHz	dBi
902	8.92
915	8.82
928	9.11

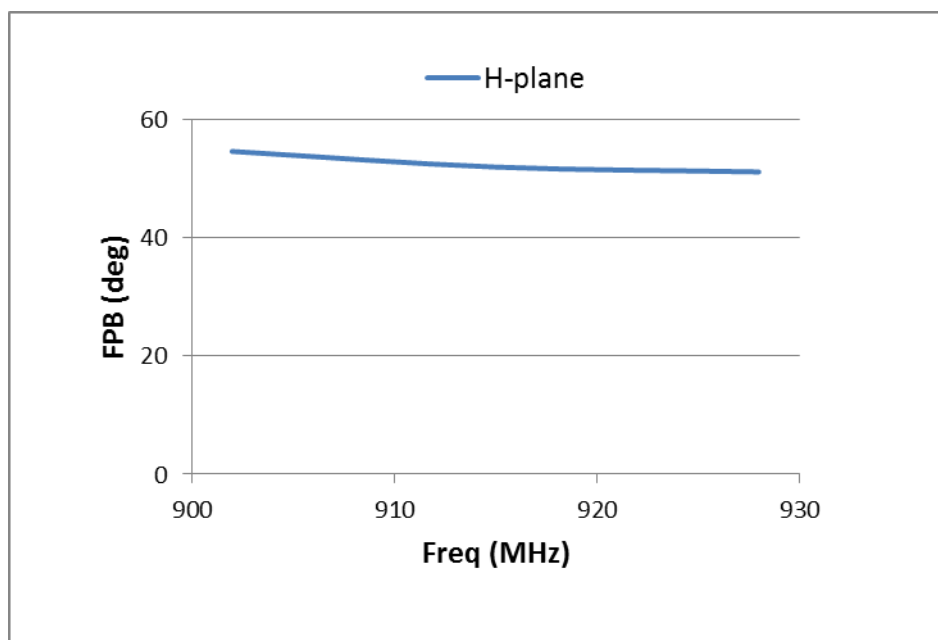
Average 8.95



Antenna -3dB Beam-width Curve

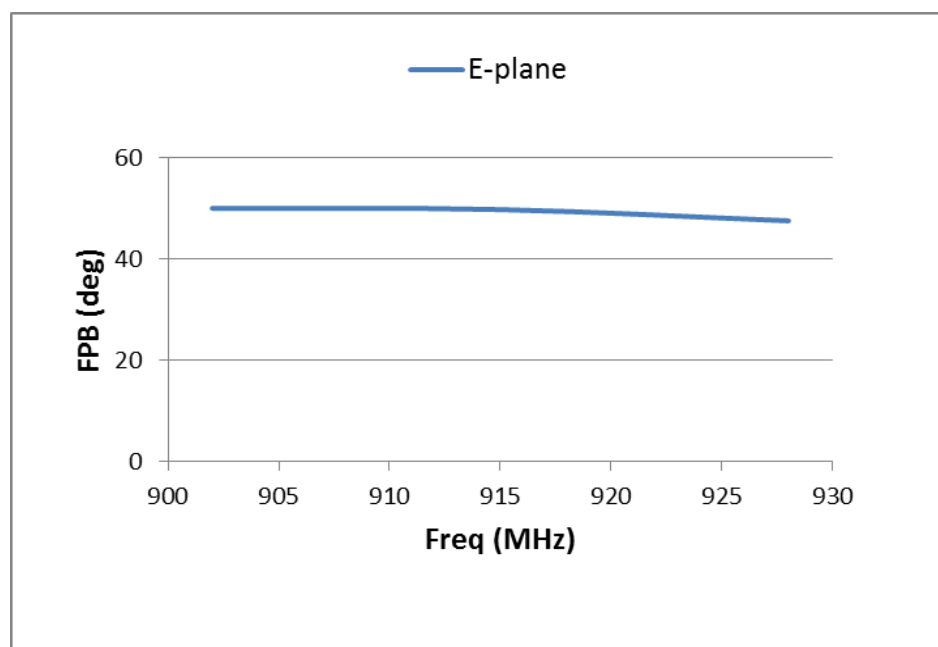
H-Plane

MHz	Deg.
902	54.65
915	52
928	51.17
Average	52.61



E-Plane

MHz	Deg.
902	50.07
915	49.82
928	47.6
Average	49.16

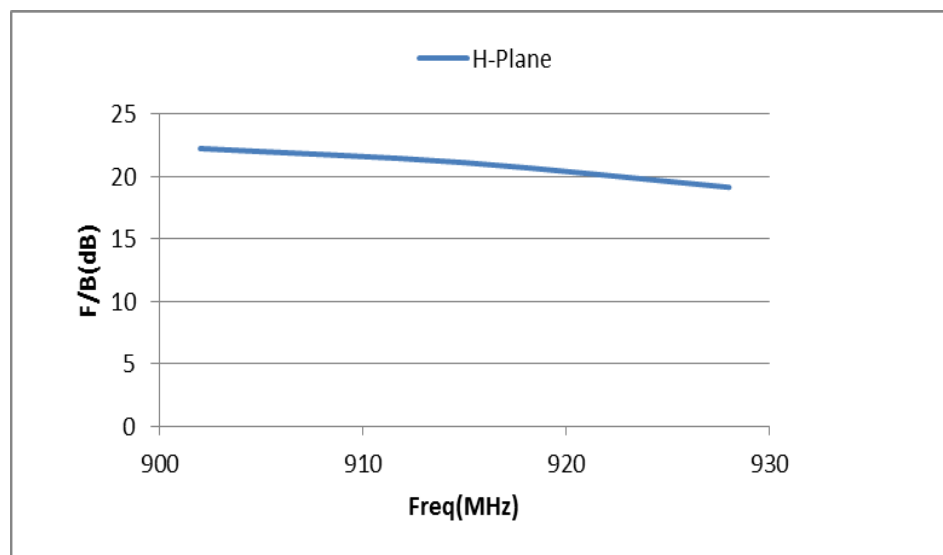


Antenna FBR Curve

H-Plane

MHz	dB
902	22.26
915	21.13
928	19.15

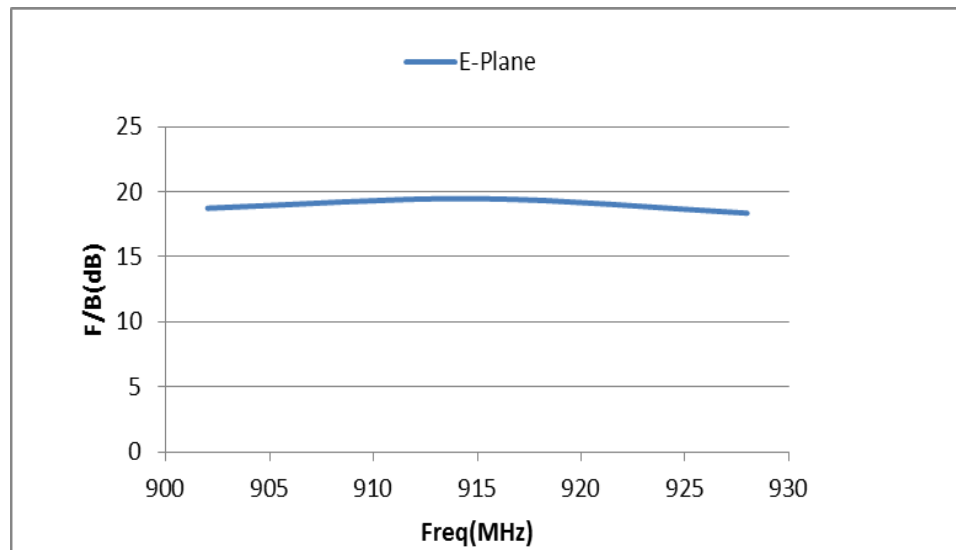
Average 20.8467




E-Plane

MHz	dB
902	18.74
915	19.48
928	18.36


Average 18.86



Packing List

	1 Set Packing	255x265x85mm
	Antenna 、 U-bolt 、 L-Style Bracket 、 Water proof tape 、 Carton(10pcs)	
	ITEM NO.	DI-915M09-NF 10 set
	Q'TY	10 PCS
	G. W.	9.9 KG
	N. W.	0.45 KG
	CARTON	533*280*446mm

Label List

Antenna Label	
Size	30x50mm(blue)
DI-915M06-NF 902-928MHz 6dbi Panel-Directional Outdoor Antenna	
Paste Position	
	

RoHs Status (RoHs Compliant)

Certificate of Compliance

Date:

To:

DI-RF hereby certifies that product

Model	Product
DI-915M09-NF	902MHz-928MHz 9dBi Panel-Directional Outdoor Antenna

Is in conformance with the requirements of the European RoHS Directive 2011/65/EU, and that all materials referenced therein are in concentrations below the maximum allowable levels specified.

Our statements in this letter regarding RoHS compliance do not extend to, or apply to any product subjected to unintended contamination, misuse, neglect, accident, improper installation, or to use in violation of instructions furnished by DI-RF.

Sincerely,

Dynamic Intelligences CO., Ltd.

The information contained in this letter is being provided for informational purposes only and to clarify certain information concerning DI-RF products. Nothing provided in this letter is

- (1) a representation, warranty or agreement to indemnification by DI-RF.
- (2) a statement which may form the basis of reliance by DI-RF,
- (3) a modification of any of the terms and conditions of sale agreed to in writing between DI-RF and its customers with respect to any DI-RF products, whether previously sold or to be sold in the future.